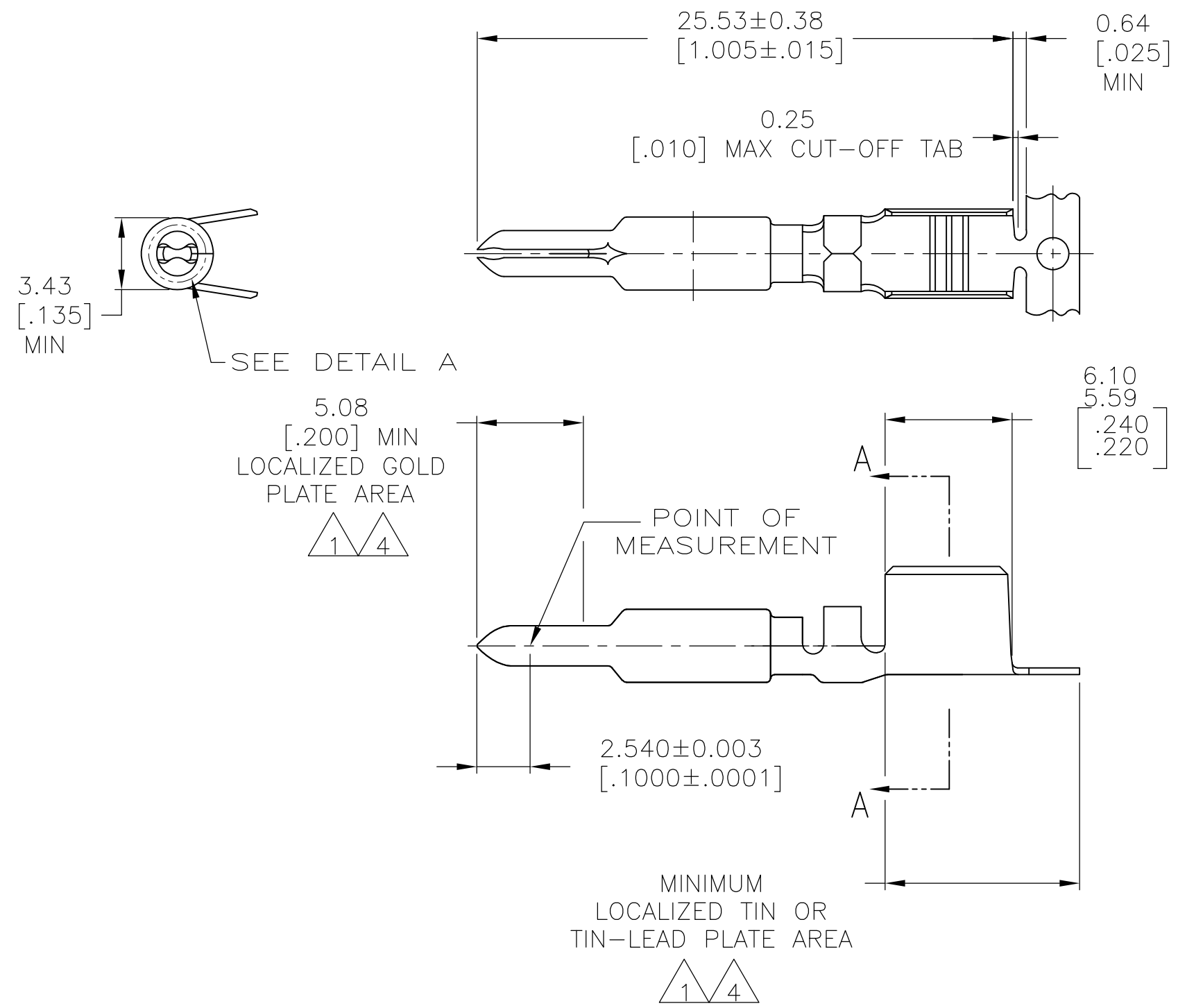
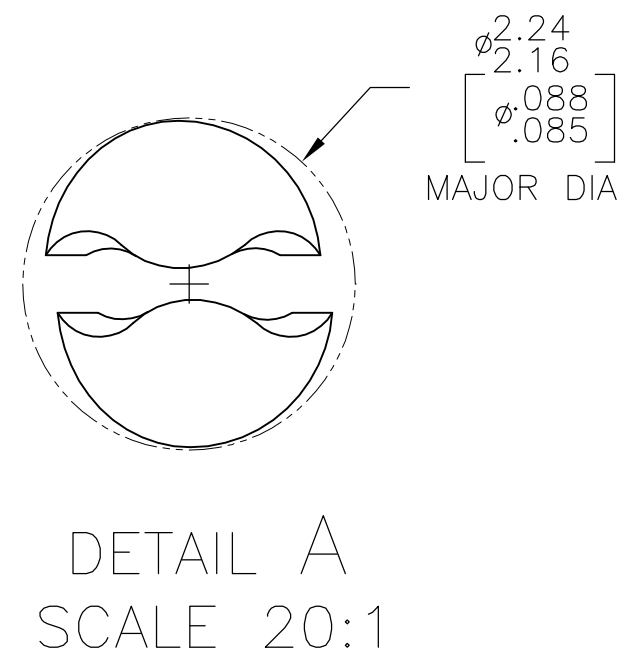
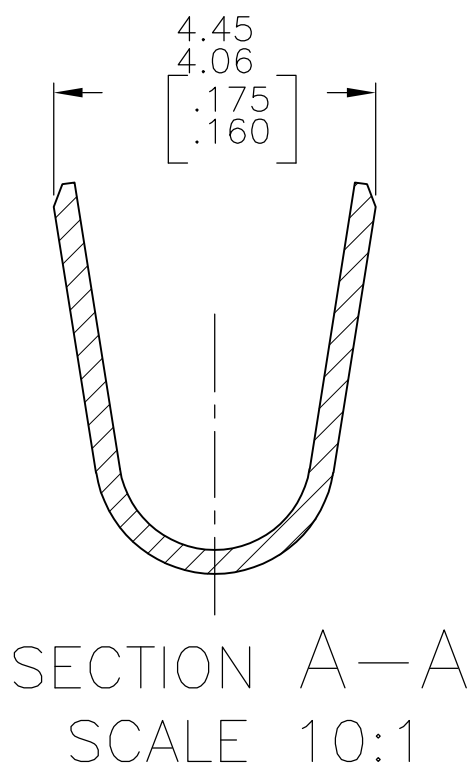


THIS DRAWING IS UNPUBLISHED. RELEASED FOR PUBLICATION
 © COPYRIGHT - By - ALL RIGHTS RESERVED.

LOC		DIST		REVISIONS			
P	LTR	DESCRIPTION		DATE	DWN	APVD	
CM	00	L		REVISED PER ECR-13-008204	10DEC2013	KH	TM



- 1 0.00076[.000030] MIN GOLD AT POINT OF MEASUREMENT IN THE LOCALIZED GOLD PLATE AREA, 0.00127[.000050] MIN TIN-LEAD IN TIN-LEAD PLATE AREA, 0.00127[.000050] MIN NICKEL UNDERPLATE ON ENTIRE CONTACT.
- 2 WIRE RANGE: 3-6mm² [12-10 AWG].
- 3 DIMENSIONS IN BRACKETS ARE IN INCHES.
- 4 0.00076[.000030] MIN GOLD AT POINT OF MEASUREMENT IN THE LOCALIZED GOLD PLATE AREA, 0.00127[.000050] MIN TIN IN TIN PLATE AREA, 0.00127[.000050] MIN NICKEL UNDERPLATE ON ENTIRE CONTACT.
- 5 THIS CONTACT HAS NO INSULATION BARREL.
- 6 SUPERSEDED BY 1-770003-0.



FINISH	MATERIAL	PART NUMBER
GOLD \triangle_4	0.30 [.012] PH BRZ	1-770003-0
GOLD \triangle_1	0.30 [.012] PH BRZ	770003-4
PRE-TIN	0.30 [.012] PH BRZ	770003-3

THIS DRAWING IS A CONTROLLED DOCUMENT.		DWN K. WHITAKER 02APR04	TE Connectivity	
DIMENSIONS: mm [INCHES]		CHK C. JONES 02APR04	NAME -	
TOLERANCES UNLESS OTHERWISE SPECIFIED: 0 PLC ± - 1 PLC ± - 2 PLC ± - 3 PLC ± - 4 PLC ± - ANGLES ± -		APVD C. JONES 02APR04	PRODUCT SPEC -	
MATERIAL -		APPLICATION SPEC -	SIZE A2	CAGE CODE 00779
FINISH -		WEIGHT -	DRAWING NO C=770003	RESTRICTED TO -
CUSTOMER DRAWING			SCALE 4:1	SHEET 1 of 1